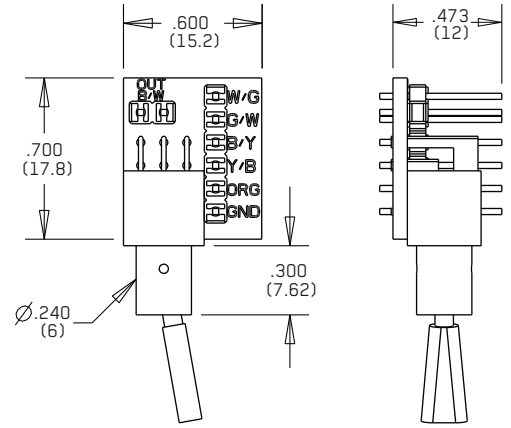
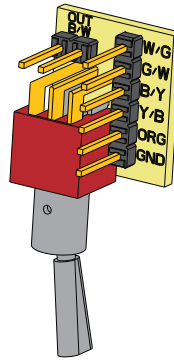




0230-03191B

PO BOX 4394  
SANTA ROSA, CA  
95402 USA

P (707) 525-9941  
F (707) 575-7046  
EMGPICKUPS.COM



## INSTALLATION INFORMATION EMG MODEL: DPDT TW SWITCH (B330)

### INSTALLATION NOTES:

The DPDT TW Switch is meant to replace the push/pull pot supplied with all TW Products (EMG-89, 81TW, 35TW, etc.). When you use the DPDT TW Switch you will need a volume (or tone) control to replace the control attached to the push/pull pot. The DPDT TW Switch uses EMG's solderless installation so you can refer to the datasheet that came with your pickup if needed.

### Connecting the the DPDT TW Switch Input

Refer to Diagrams #1 and #2

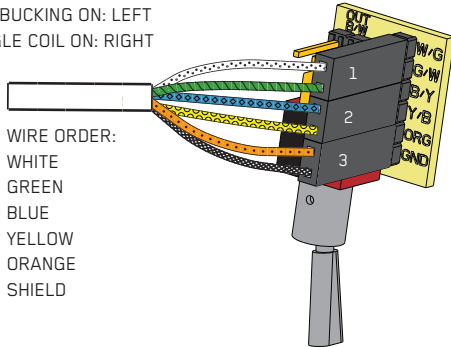
The DPDT TW Switch lets you choose between the single-coil and dual-coil modes of your TW Pickup.

Diagrams #1 or #2 show how to connect the TW Pickup cable to the switch.

Install the connectors coming from the pickup as shown in Diagram #1. If you want to reverse the switch selection you can either rotate the switch or simply reverse connectors 1 and 2 as shown in Diagram #2. Connector 3 remains the same for either choice.

Diagram #1

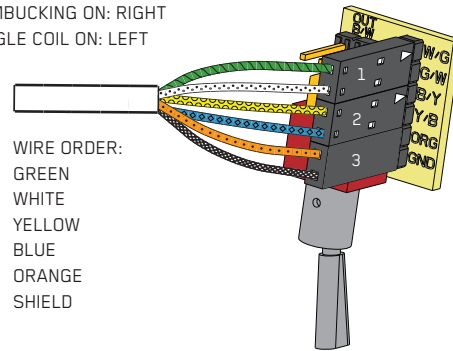
HUMBUCKING ON: LEFT  
SINGLE COIL ON: RIGHT



WIRE ORDER:  
WHITE  
GREEN  
BLUE  
YELLOW  
ORANGE  
SHIELD

Diagram #2

HUMBUCKING ON: RIGHT  
SINGLE COIL ON: LEFT



WIRE ORDER:  
GREEN  
WHITE  
YELLOW  
BLUE  
ORANGE  
SHIELD

### Connecting the the DPDT TW Switch Output

Refer to Diagram #3

The output signal of the pickup (either single or dual-coil) comes from the 2 pin header located just above the switch.

Insert a wire connector as shown and be sure the B/W (Black/White) wires align with the board text.

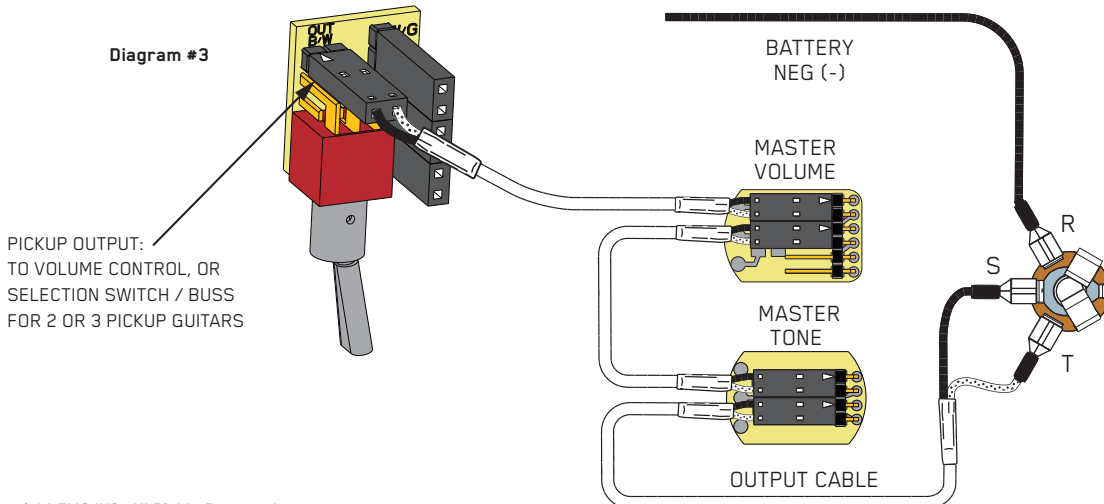


Diagram #3

PICKUP OUTPUT:  
TO VOLUME CONTROL, OR  
SELECTION SWITCH / BUSS  
FOR 2 OR 3 PICKUP GUITARS