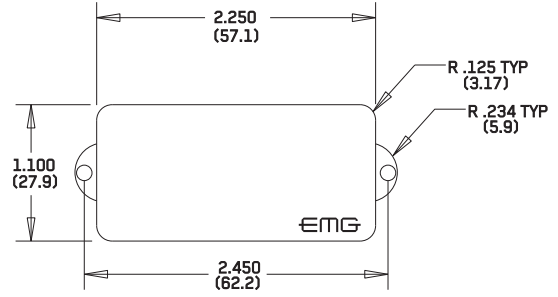




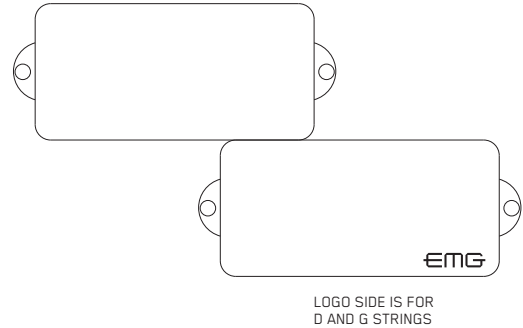
0230-0266-H

PO BOX 4394
SANTA ROSA, CA
95402 USA

P (707) 525-9941
F (707) 575-7046
EMGPICKUPS.COM



#4 PHILLIPS RH WOOD SCREWS
FOR MOUNTING



INSTALLATION INFORMATION EMG MODELS: P-HZ (NON-EXPOSED POLES)

SPECIFICATIONS

Logo Color	P-HZ
Magnet Type	Gold
Inductance (Henries)	Alnico 5
DC Resistance (kOhm)	6.12
Resonant Frequency (KHz) (1)	11.20
Resonant Frequency (KHz) (2)	1.77
Impedance at Resonance (kOhm) (1)	2.36
	68.00

- (1) Loaded with 500K Volume and Tone and 20' (6M) 560pf cable
- (2) Loaded with 1 MegOhm / 47pf

INSTALLATION NOTES:

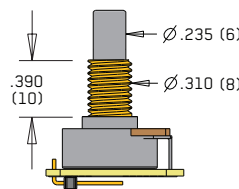
As you can see in the diagram above, the P-HZ consists of two pickups. Both pickups are identical in size and shape. The pickup that features the EMG Logo is intended to be used under the D/G Strings so that the connector cable is long enough to get to the control cavity. All EMG-HZ Pickups are compatible with each other. The connector system is an easy method of installation, avoiding the need to solder. EMG Accessory Circuits like the VLPF, EXB, BTC or BQC Controls can be added to any EMG Pickup System. All have buffered inputs and can be used on either passive or active pickups. Adding Active accessories will require a battery.

IMPORTANT NOTE: STRING GROUND (EARTH)

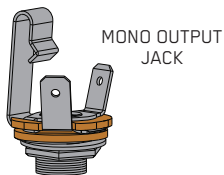
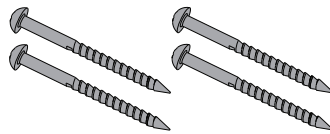
It is common practice to use a bridge ground wire to reduce noise in instruments with passive pickups. An IDC connector is included that will attach your bridge ground wire to the included "Ground Buss" so all ground wires can be connected together.

INCLUDED WITH EACH PICKUP:

- 1 VOLUME CONTROL (250K)
- 1 TONE CONTROL (250K)

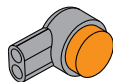


ADJUSTMENT SCREWS (4)

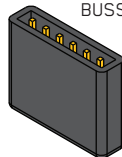


MONO OUTPUT JACK

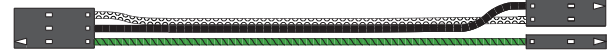
BRIDGE GROUND CONNECTOR



GROUND BUSS



P-HZ PICKUP CABLES 13.5" (34cm) / 6" (15cm)



2 CONNECT CABLES 5.5" (14cm)



OUTPUT CABLE 6" (15cm)



GROUND WIRES 6" (15cm)



WARRANTY

All EMG Pickups and accessories are warranted for a period of two years. This warranty does not cover failure due to improper installation, abuse or damage. If upon examination the pickup is determined to be defective, a replacement will be made. Warranty replacement products are covered by this same warranty. This warranty covers only those pickups and accessories sold by authorized EMG Dealers. This warranty is not transferable.

Installation Instructions:

EMG Models: P-HZ

General Notes:

- Every attempt has been made to make this a solderless installation. There are some instances where this is not possible;
- 1) If your instrument uses a long panel output jack, soldering will be required.
 - 2) If your instrument has a selection switch or if the wiring is different, visit our website (emgpickups.com) for more diagrams and video installations.

Installation

- 1) Diagram #1 shows how to install the pickup cable onto the back of the pickup. Be sure the arrows are visible as shown.
- Diagram #2 shows the color code of the cables, be sure to pay attention to the colors when you are installing the pickup and interconnect cables.

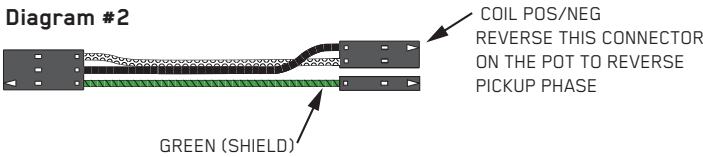
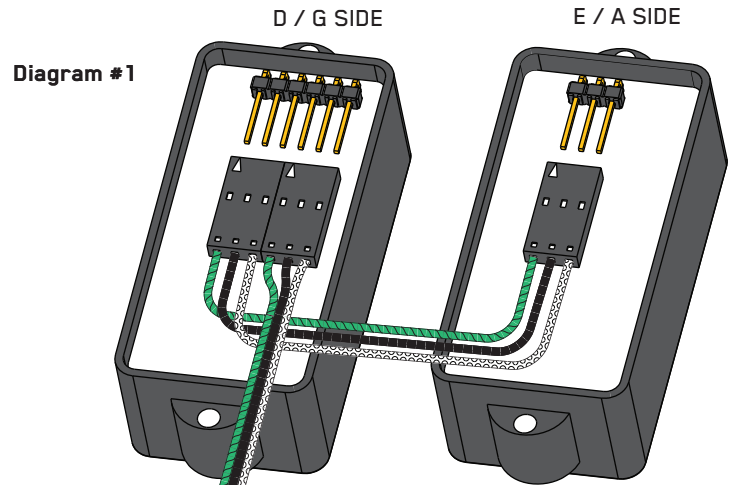


Diagram #3
One Pickup
One Volume

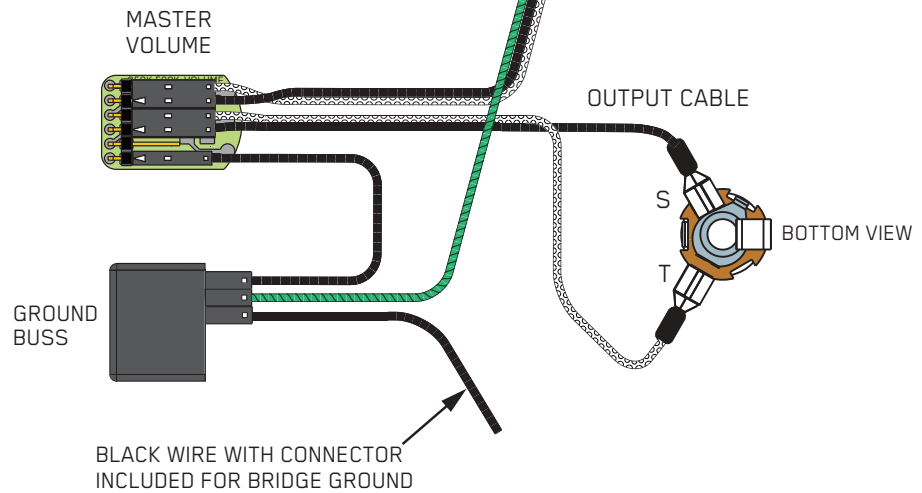
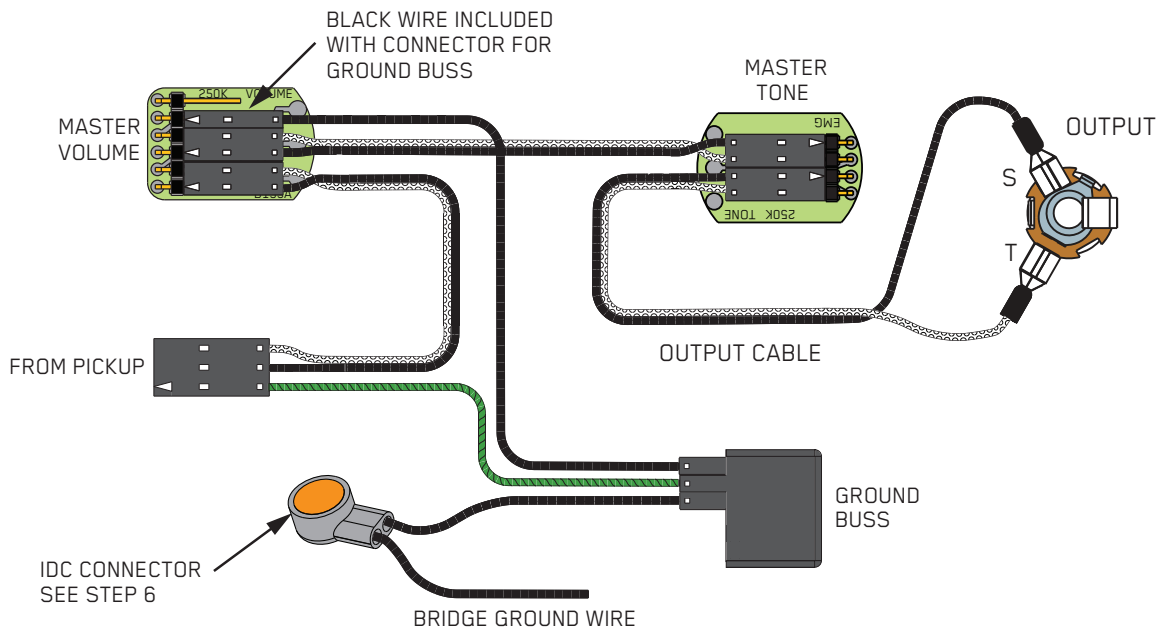
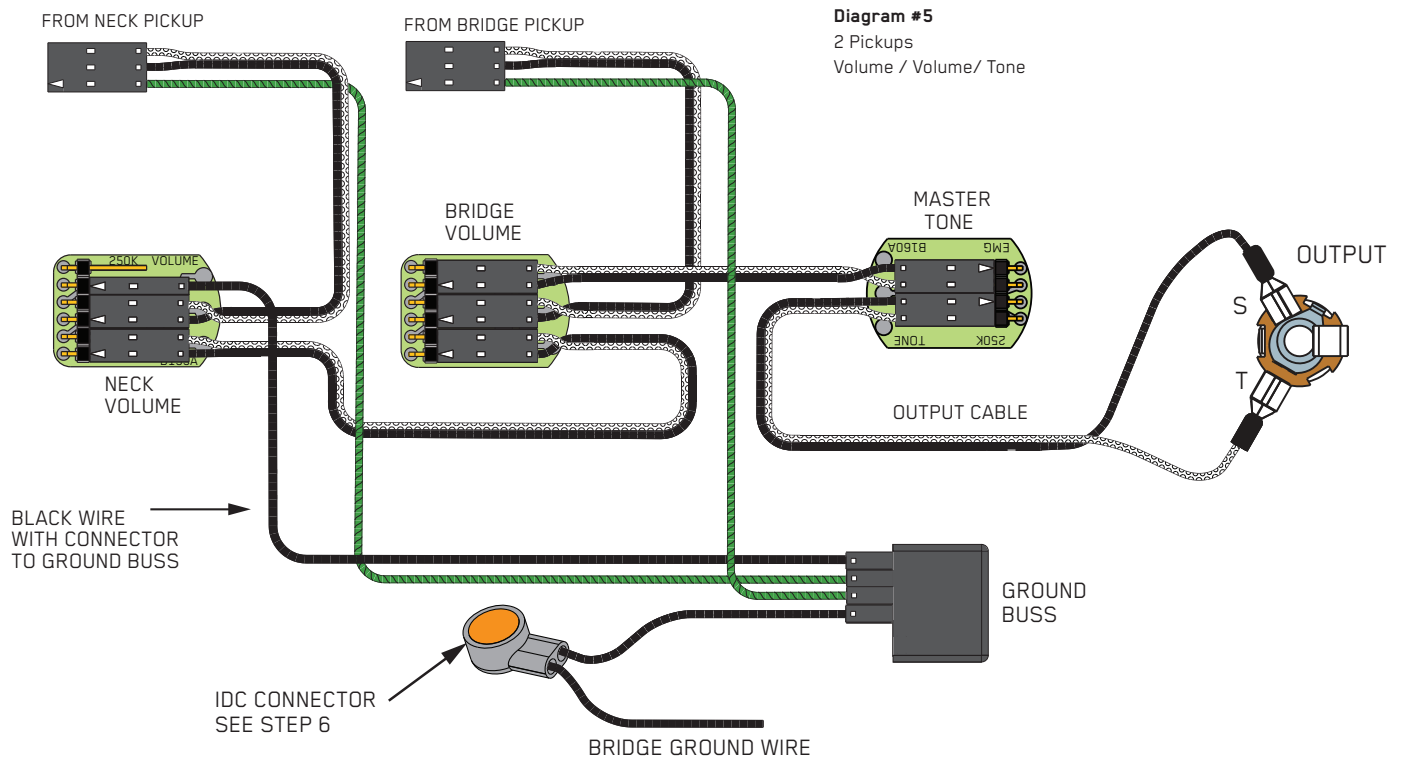


Diagram #4

One Pickup
One Volume
One Tone





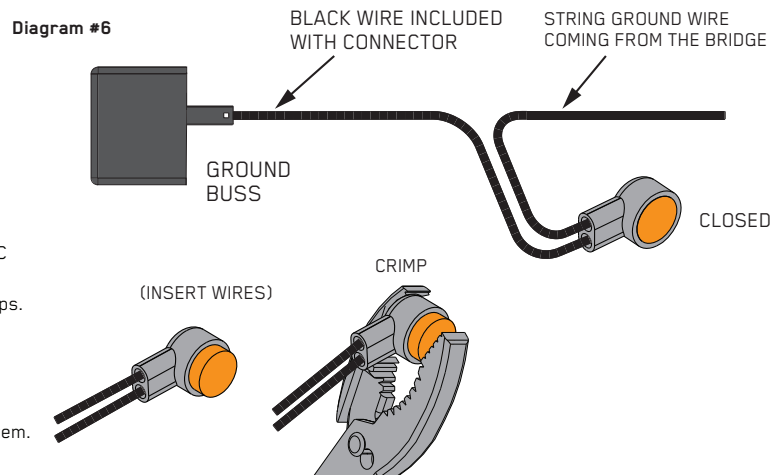
Attaching the bridge ground wire

6) Refer to Diagram #6.

As mentioned on Page 1, it is common to "ground" (earth) the strings on instruments with passive pickups. Included with the system is a black ground wire with a single solderless connector. Also included is an IDC connector for joining two wires together.

Insert your bridge ground wire and EMG ground wire into the IDC connector as shown. You don't need to strip the insulation from either wire. Crimp the connector with a pair of pliers until it snaps. This will connect the two wires. The IDC connector can only be used once, and cannot be "un-crimped".

Push the solderless connector into the included Ground Buss as shown in the diagram. This will ground the strings to the system.



Soldering to the 151 Panel Jack:

If your instrument has a long Panel Jack like the one below you will have to solder the output cable as shown.

Ground (Black) to the Sleeve
Signal (White) to the Tip

